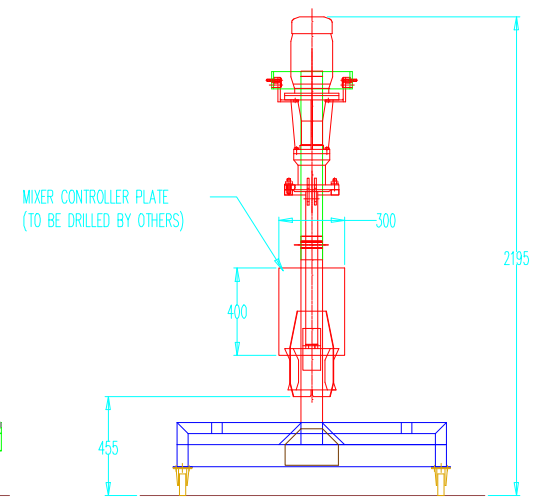
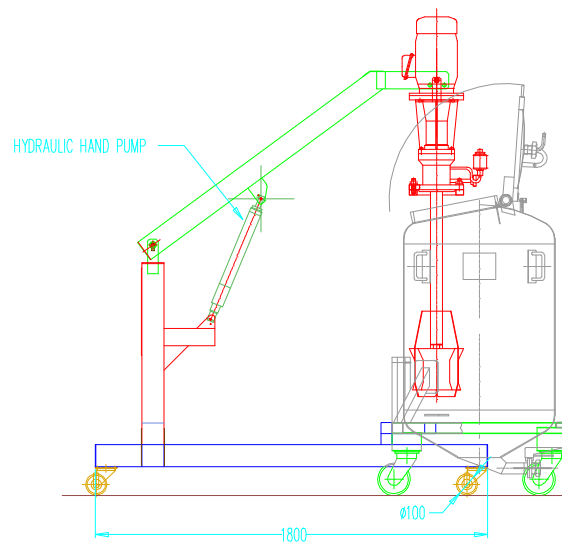
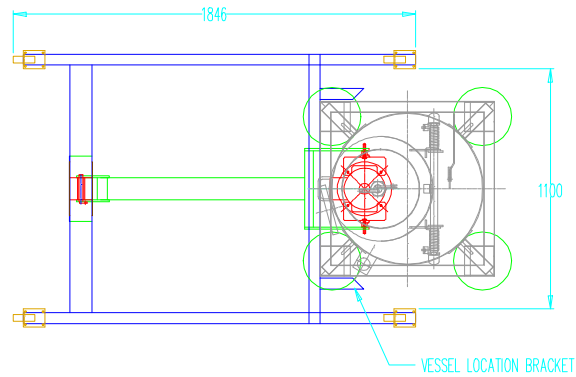


VIEW SHOWING FULLY EXTRACTED MIXER



COPYRIGHT RESERVED
 DRAWN THIRD ANGLE PROJECTION

REMOVE ALL BURRS AND SHARP EDGES
 TOLERANCES : UNLESS OTHERWISE STATED
 FABRICATIONS : +/- 2.0mm
 MACHINING : +/- 0.2mm
 SHEET METAL WORK : +/- 1.0mm AND +/- 1.0 DEG

BASE HANDLING PRODUCTS LIMITED
 UNIT 20 BARLEYFIELD INDUSTRIAL ESTATE,
 BRYNMAWR,
 GWENT, NP23 4YF
 TEL: (01495) 312172 FAX: (01495) 312089 EMAIL: info@baseproducts.co.uk

REVISION
 NUMBER

CUSTOMER

DRAWING TITLE

HYDRAULIC MANUAL PUMP UP MIXER LIFT

DRAWN
 JPW

CHECKED

DATE
 17-07-06

DRAWING NUMBER

BP3134-1