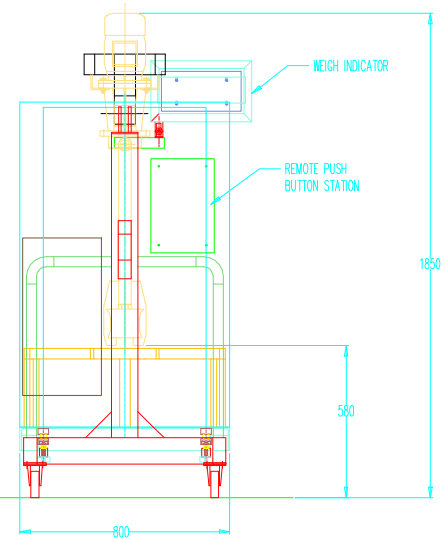
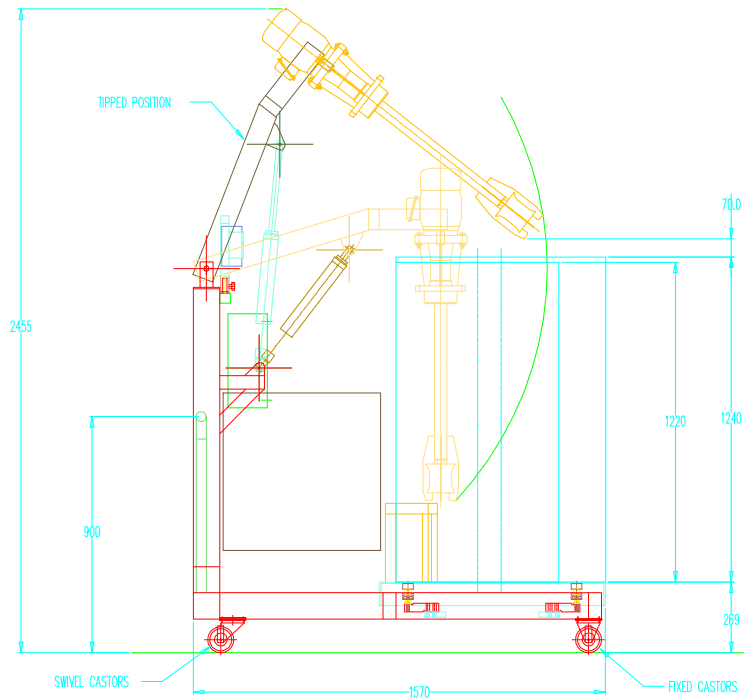
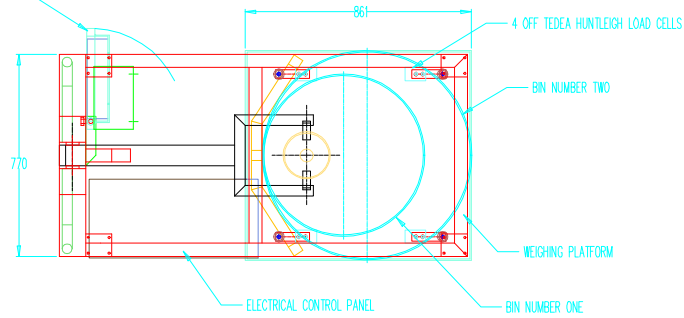


WEIGH INDICATOR CAN BE SWIVELED BACK TO ALLOW MACHINE TO BE WHEELED THROUGH DOORWAY



REMOVE ALL BURRS AND SHARP EDGES
 TOLERANCES : UNLESS OTHERWISE STATED
 FABRICATIONS : +/- 2.0mm
 MACHINING : +/- 0.2mm
 SHEET METAL WORK : +/- 1.0mm AND +/- 1.0 DEG

DRAWN	CHECKED	DATE
JPW		24-08-05

DRAWING NUMBER
BP3019-1

COPYRIGHT RESERVED
 DRAWN THIRD ANGLE PROJECTION

BASE HANDLING PRODUCTS LIMITED
 UNIT 20 BARLEYFIELD INDUSTRIAL ESTATE,
 BRYNMAWR,
 GWENT, NP23 4YF
 TEL: (01495) 312172 FAX: (01495) 312089 EMAIL: info@baseproducts.co.uk

REVISION NUMBER									
CUSTOMER									

DRAWING TITLE
DRUM WEIGHER AND MIXING SYSTEM, MOBILE.