

## Tote Bin Hoist

### Single Pillar 300 Litre Tote Bin Hoist Part Guarded

BTM/300/3300/B/G

#### Tote Bin Hoist Description

The tote bin hoist is a single pillar 300 Litre bin tipper that is designed to lift and tip at a discharge height of 3300mm. The tote bin hoist is constructed from Grade 304 stainless steel and is fully TIG welded throughout. This tote bin hoist has dual push button control which is monitored by a simultaneous pushbutton control relay on both the 'Up' and 'Down' controls. Lifting with the tote bin hoist is achieved by a  $\frac{3}{4}$ " Duplex chain driven by a motor gearbox mounted at the top of the main column. The tote bin hoist is designed to be bolted to the floor.



*Tote Bin Hoist for 300 Litre Tote Bin*

Call now on 01495 312 172

[webenquiry@basehandling.co.uk](mailto:webenquiry@basehandling.co.uk)

Base Handling Products Limited, Unit 20, Barleyfield Industrial Estate  
Brynmawr, Gwent, NP23 4YF.



**Safety Guarding**

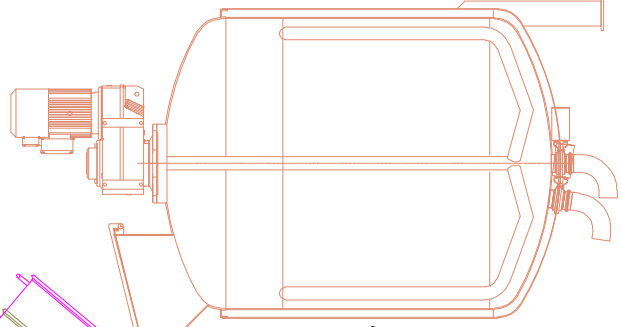
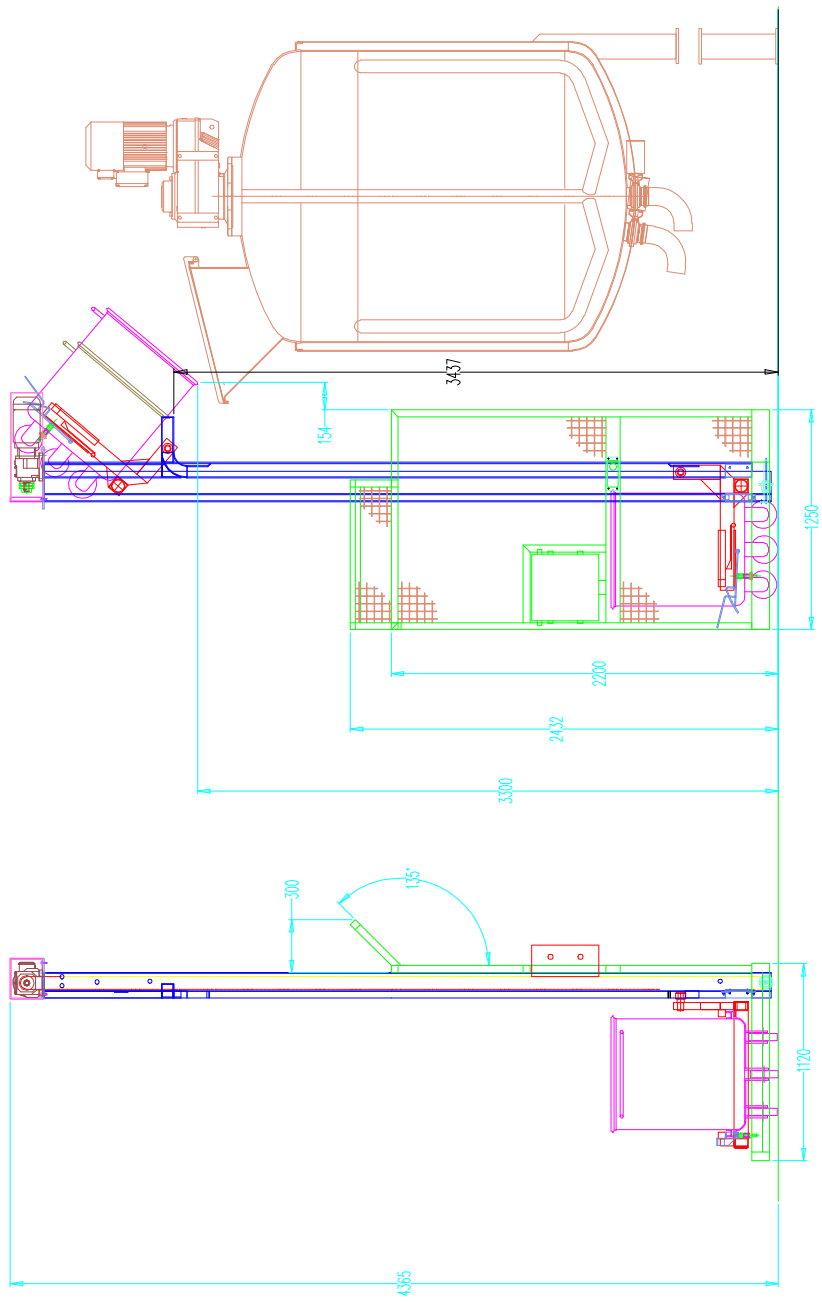
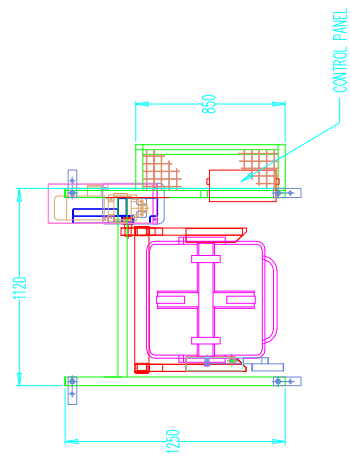
This tote bin hoist was fitted with a safety guard on the side of the machine where the operator will be required to stand to operate the machine. The safety guard was manufactured from 40 x 40 x 3mm stainless steel box section with a 40 x 40mm, 3mm wire stainless steel weld mesh in fill. The guard was 1100mm wide and 2200mm tall with a 300mm wide deflector canopy above the operator.

**Tote Bin Hoist Specification**

DESCRIPTION	SINGLE PILLAR TOTE BIN HOIST
MODEL No.	BTM/300/3300/B/G
CAPACITY	300 Kgs
TIPPING HEIGHT	3300mm
TIPPING ANGLE	130 DEGREES
OVERALL HEIGHT	4365mm
MACHINE HANDING	LEFT OR RIGHT HAND AVAILABLE
TIPPING CHUTE	OPTIONAL
CONTAINER DESCRIPTION	STANDARD 300 LITRE EUROBIN
BASE ARRANGEMENT	BOLTED TO THE FLOOR
CONTROL CIRCUIT	24Vac (STANDARD)
ELECTRICAL RATING	IP65
LIMIT SWITCHES	ADJUSTABLE ROD
MOTOR DETAIL	0.75kW, 415V, 3 PHASE, 50 CYCLE
MOTOR BRAKE	415V SEPARATELY EXCITED
GEARBOX DETAIL	FLENDER
OUTPUT R.P.M.	28 R.P.M.
RATIO	50:1
LOAD/TENSION CHAIN	¾" DUPLEX DELTA Z
TENSILE STRENGTH	6000Kgs
LIFT SPEED	6.4 METERS/MINUTE

**Tote Bin Hoist Application Story**

These tote bin hoist's, 14 in total, were all manufactured for a popular cooking sauce manufacturer to load all of the ingredients into the cooking vessels as quickly as possible. The tote bin hoist was a heavy duty machine so that a 300 Litre Tote Bin could be lifted and tipped, thereby reducing the loading time per cooking cycle and maximising the efficiency of the plant.



COPYRIGHT RESERVED  
 DRAWN THIRD ANGLE PROJECTION



**BASE HANDLING PRODUCTS LIMITED**  
 UNIT 20 BARLEFIELD INDUSTRIAL ESTATE,  
 BRYNMAWR,  
 Gwent, NP23 4TF  
 TEL: (01495) 312172 FAX: (01495) 312089 EMAIL: info@baseproducts.co.uk

REMOVE ALL BURRS AND SHARP EDGES TOLERANCES : UNLESS OTHERWISE STATED FABRICATIONS : +/- 2.0mm MACHINING : +/- 0.2mm SHEET METAL WORK : +/- 1.0mm AND +/- 1.0 DEG	
DRAWN JPW	CHECKED DATE 23-03-07
DRAWING NUMBER BP3199-1	

REVISION NUMBER	CUSTOMER
DRAWING TITLE	SINGLE PILLAR 300 LITRE TOTE BIN TIPPER BOLTED PART GUARDED