

## Side Loading Eurobin Tipper

### Single Pillar Side Loading Eurobin Tipper

BTM/250/1650/B/SL

#### Eurobin Tipper Description

The Eurobin tipper is a single pillar 200 Litre tote bin tipper that is designed to lift and tip at a discharge height of 1800mm. The Eurobin tipper is constructed from Grade 304 stainless steel, is fully TIG welded throughout and will operate on a 'dead mans handle' principle. Lifting with the Eurobin tipper is achieved by a ¾" Simplex chain driven by a motor gearbox mounted at the top of the main column. The Eurobin tipper has a bolt down base frame and will be loaded from the side.



*Eurobin Tipper*

Call now on 01495 312 172

[webenquiry@basehandling.co.uk](mailto:webenquiry@basehandling.co.uk)

Base Handling Products Limited, Unit 20, Barleyfield Industrial Estate  
Brynmawr, Gwent, NP23 4YF.

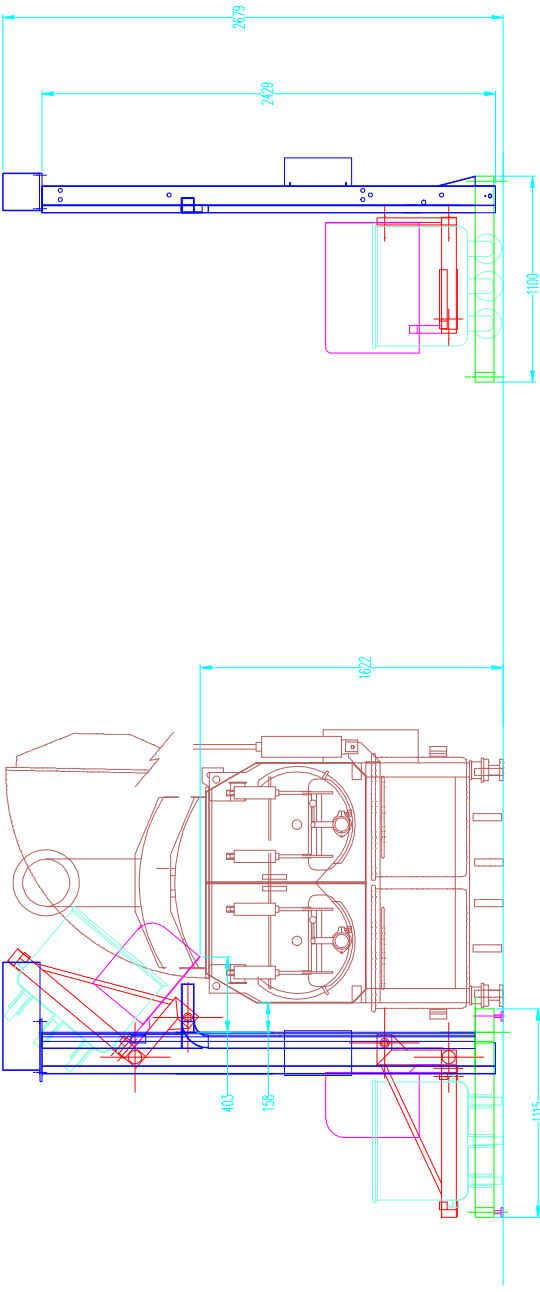
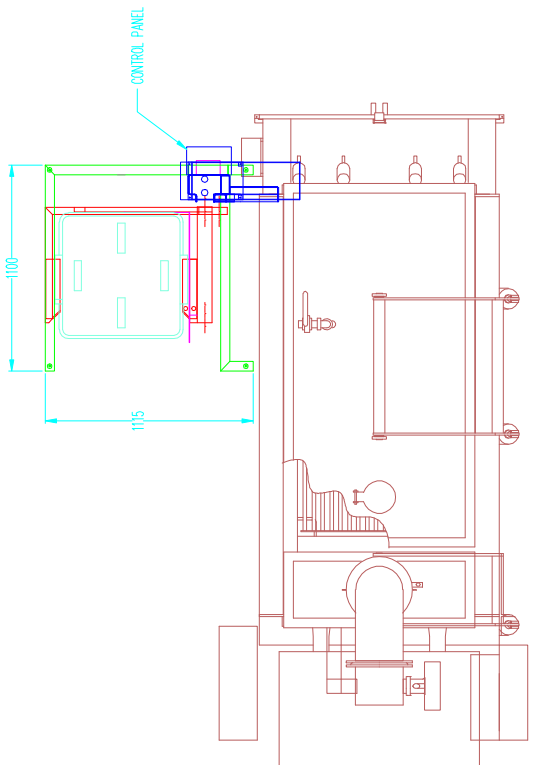


**Eurobin Tipper Specification**

DESCRIPTION	SINGLE PILLAR SIDE LOADING EUROBIN TIPPER
MODEL No.	BTM/250/1650/B
CAPACITY	250Kgs
TIPPING HEIGHT	1650mm
TIPPING ANGLE	130 DEGREES
OVERALL HEIGHT	2600mm
MACHINE HANDING	LEFT OR RIGHT HAND AVAILABLE
TIPPING CHUTE	OPTIONAL
CONTAINER DESCRIPTION	STANDARD 200 LITRE TOTE BIN
BASE ARRANGEMENT	MOBILE ON CASTORS
CONTROL CIRCUIT	24Vac (STANDARD)
ELECTRICAL RATING	IP65
LIMIT SWITCHES	ADJUSTABLE ROD
MOTOR DETAIL	0.55kW, 415V, 3 PHASE, 50 CYCLE
MOTOR BRAKE	415V SEPARATELY EXCITED
GEARBOX DETAIL	FLENDER D38 M1P4D7.5
OUTPUT R.P.M.	28 R.P.M.
RATIO	50:1
LOAD/TENSION CHAIN	¾" SIMPLEX DELTA Z
TENSILE STRENGTH	3000Kgs
LIFT SPEED	6.4 METERS/MINUTE

**Eurobin Tipper Application Story**

This Butter Block Cutter was required to help prevent damage to the mixing blades in an industrial mixer caused when complete blocks of butter were loaded. The complete block was heavy enough to bend and break the mixer blades when it was dropped into the mixer. By cutting the butter into 50 x 50mm strips no further damage was caused. In addition, when the butter blocks were cut into strips, they melted more quickly in the process and thereby reduced the cycle time for the preparation of mash potato.



COPYRIGHT RESERVED

DRAWN THIRD ANGLE PROJECTION



**BASE HANDLING PRODUCTS LIMITED**  
 UNIT 20 BARLEFIELD INDUSTRIAL ESTATE,  
 BRYNMAWR,  
 GWENT, NP23 4YF  
 TEL: (01495) 312172 FAX: (01495) 312089 EMAIL: info@baseproducts.co.uk

REVISION NUMBER

CUSTOMER

DRAWING TITLE

SINGLE PILLAR 200 LITRE TOTE BIN TIPPER  
 BOLTED SIDE LOADING

REMOVE ALL BURRS AND SHARP EDGES  
 TOLERANCES : UNLESS OTHERWISE STATED  
 FABRICATIONS : +/- 2.0mm  
 MACHINING : +/- 0.2mm  
 SHEET METAL WORK : +/- 1.0mm AND +/- 1.0 DEG

DRAWN

JPW

CHECKED

DATE

25-07-03

DRAWING NUMBER

BP2667-1