

Capsule Transfer System

Capsule Transfer System

Capsule Transfer System Description

This Capsule Transfer System was fabricated from 304 and 316 Grade Stainless Steel to a pharmaceutical standard. All contact parts were from 316 Stainless Steel complete with 3.1B Material Certificates. The conical storage hopper was manufactured from 2mm sheet with a 4" TC Ferrule at the bottom of the cone. The base frame was from stainless steel box section with mounting facilities for the Centrifugal Blower and Stainless Steel control panel. There was a stainless steel feed pipe connected to the blower with a machined insert and a short length of 2" outlet pipe through which the capsules were blown. This Capsule Transfer System included a Stainless Steel control panel mounted to the base frame complete with Inverter control to vary the capsule transfer rate.



Pharmaceutical Capsule Transfer System

Capsule Transfer System Application Story

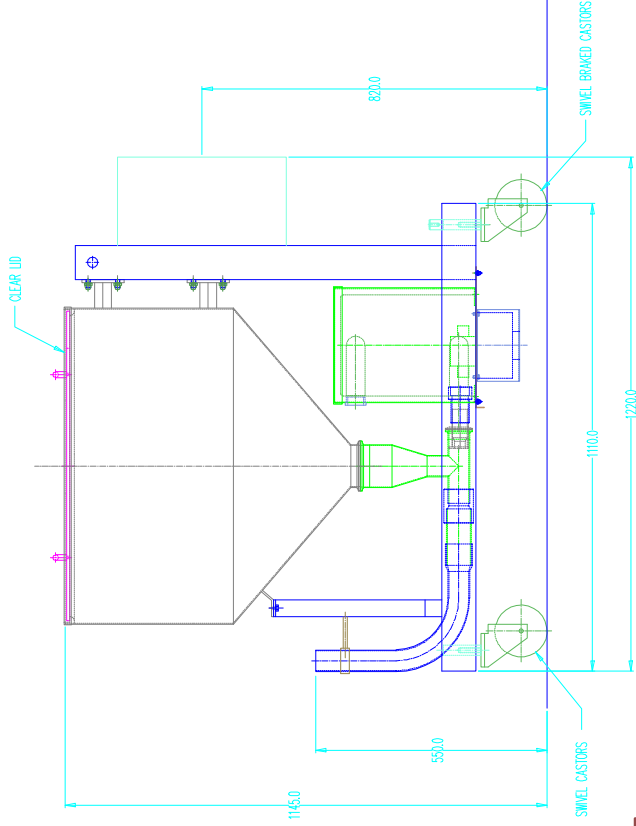
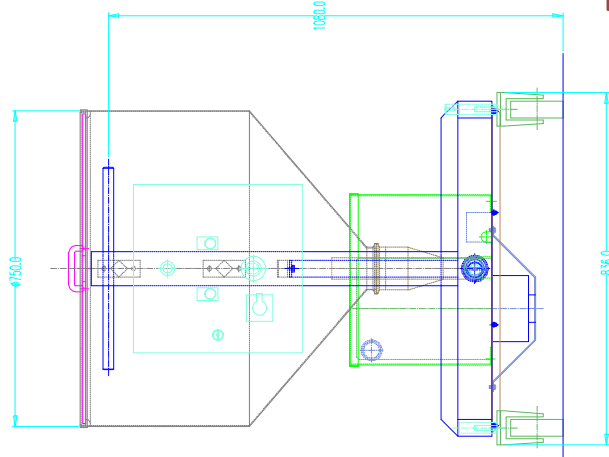
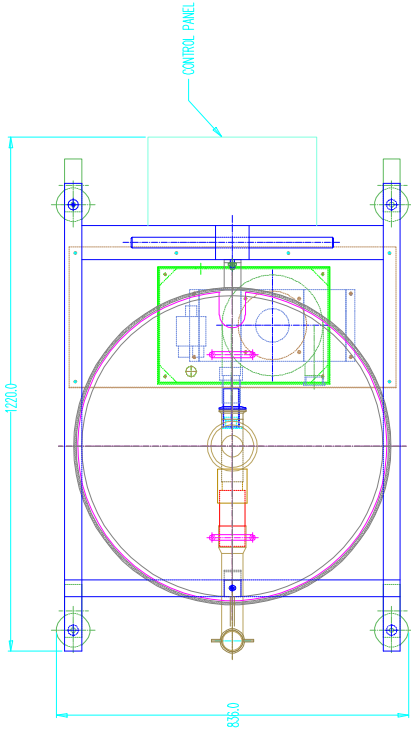
This Capsule Transfer System was required to transfer Pharmaceutical Capsule from a drum via a length of air line to a capsule filling machine. The operator removed the round plastic lid on top of the capsule hopper and poured a small drum of capsules into the hopper. The air blower was then started and the capsules dropped into the air line at the bottom of the conical hopper. The rate of transfer could be controlled by adjusting the blower speed via an inverter drive.

Call now on **01495 312 172**

webenquiry@basehandling.co.uk

Base Handling Products Limited, Unit 20, Barleyfield Industrial Estate
Brynmawr, Gwent, NP23 4YF.





REMOVE ALL BURRS AND SHARP EDGES	
TOLERANCES : UNLESS OTHERWISE STATED	
FABRICATIONS : +/- 2.0mm	
MACHINING : +/- 0.2mm	
SHEET METAL WORK : +/- 1.0mm AND +/- 1.0 DEG	
DRAWN	CHECKED
JPW	DATE
	04-04-06
DRAWING NUMBER	
BP3093-2	

COPYRIGHT RESERVED
 DRAWN THIRD ANGLE PROJECTION



BASE HANDLING PRODUCTS LIMITED
 UNIT 20 BARLEFIELD INDUSTRIAL ESTATE,
 BRYNMAWR,
 GMENT, NP23 4TF
 TEL: (01495) 312172 FAX: (01495) 312089 EMAIL: info@baseproducts.co.uk

REVISION NUMBER

CUSTOMER

DRAWING TITLE

PHARMACEUTICAL CAPSULE TRANSFER SYSTEM